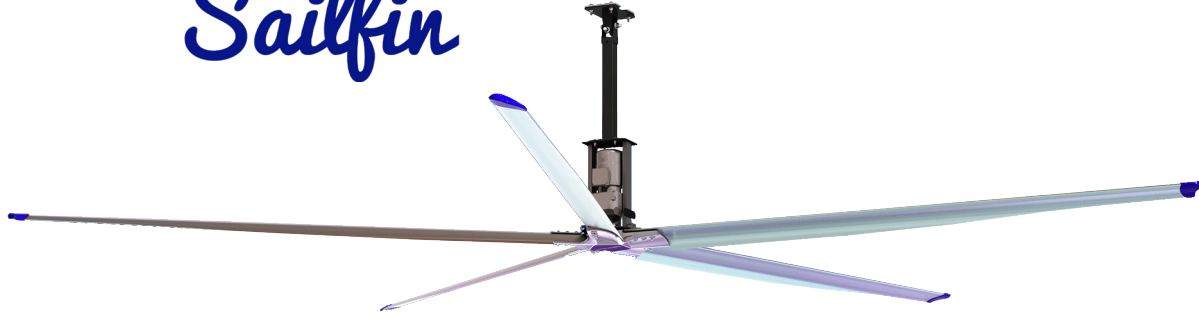


Altra-Air Sailfin



2.4 M (8 FT) ALTRA-AIR SAILFIN FAN SPECIFICATIONS

General

Diameter.....	2.4 m (8 ft)
Number of Blades.....	5
Motor Power.....	0.75 kW (1 HP)
Noise Level.....	62.5 dBA
Weight (no mount).....	99 kgs (220 lbs)

Performance

Maximum Velocity.....	1.96 m/s (386 ft/min)
Airflow.....	28,078 l/s (59,494 CFM)
Maximum Speed.....	105 RPM
Power Usage.....	782 W
Maximum Effective Diameter.....	18 m (60 ft)

Gear Motor

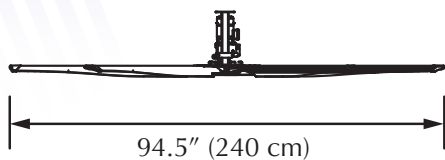
Type.....	Helical Inline Reducer
HP.....	1 HP (50 Hz / 60 Hz)
Ratio.....	13.39
Volts.....	230 V / 400 V / 460 V / 575 V
Amps Consumed.....	3 A @ 230 V
Insulation Class.....	F
Torque.....	53 Nm (39 ft-lbs)
Thrust.....	125 N (28 lbs)

Warranty

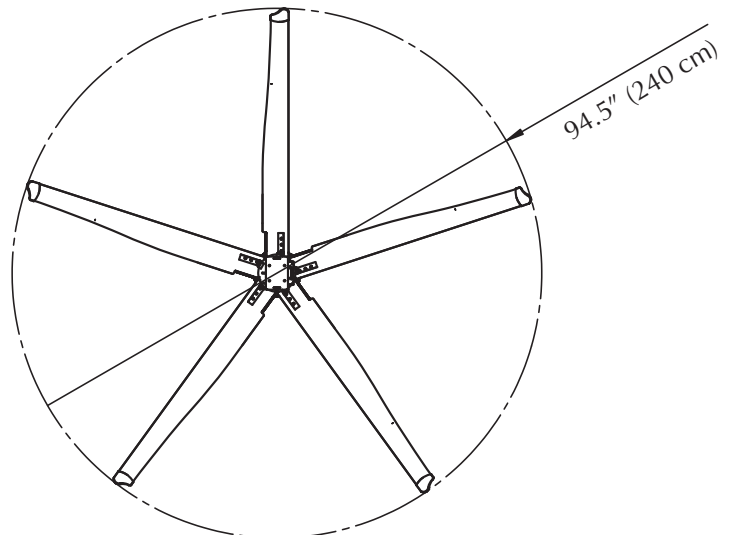
Motor, Gearbox & Control Panel.....	3 Years
Blades, Hub & Mounting System.....	Lifetime

*Please see Altra-Air Installation Guide for warranty specifications and exclusions.

* These specifications are guidelines only and are subject to change without notice.



Sailfin Blade Profile



ENVIRA-NORTH
SYSTEMS LIMITED

(519) 527-2198

www.enviranorth.com